

SINGLE ROOM AIR SYSTEM

description

- Compact, natural air treatment system – not a filter
- Plugs into existing 120 volt outlet
- No wiring required
- No cleaning required
- Anti-theft mounting arrangement

applications

- Small or isolated indoor pollution and odor causing areas
- Waiting rooms or small lobbies
- Hotel rooms
- Nursing home rooms
- Public restrooms

the technology

Powerful and inconspicuous, the PHX system is designed to target larger rooms with ActivePure[®]. The PHX works as a stand-alone unit or as companion to the AP3000 or INDUCT units for more complete treatment. An anti-theft mounting option makes it perfect for offices, restrooms, and other moderate sized areas up to 500 square feet. PHX utilizes

activTek's tested ActivePure[®] technology to effectively treat interior air and exposed surfaces. A standard 120VAC outlet on the side of the unit allows for mounting over an existing wall outlet without inconvenience. Includes a removable, washable lint screen.

Published scientific studies conducted on behalf of activTek by Dr. James Marsden at Kansas State University demonstrated that activTek's ActivePure[®] technology substantially reduces microbial populations on surfaces. The study's results have not been reviewed by the FDA, EPA or any other governmental agency. Our products are not medical devices and are not intended to diagnose, treat, or cure any disease.



specifications

PHX	US40226	
electrical	120V~, 60 Hz, .25 amp	22 watts* power consumption
mechanical	one 3-setting control switch	low/off/high (fan on)
dimensions	6"W x 12"H x 4"D	15.24cm W x 30cm H x 10cm D
weight	2.9 pounds	1.3 kilograms

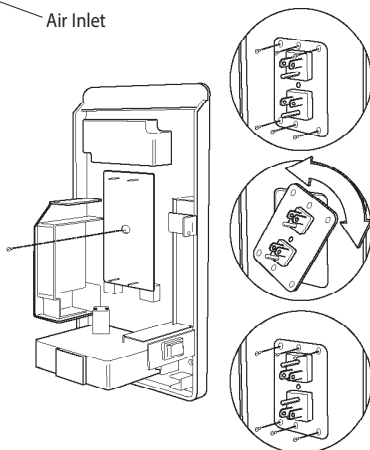
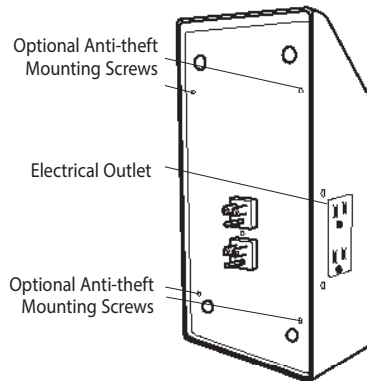
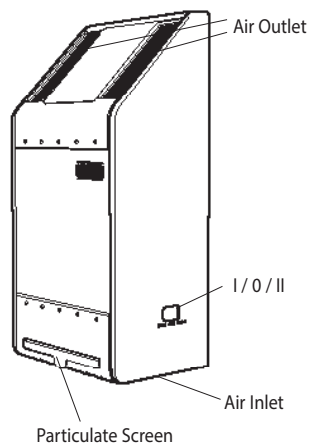
A powerful but inconspicuous air freshener system that can be plugged into any standard electrical outlet and treats up to a 500 sq. ft. area.

applications list

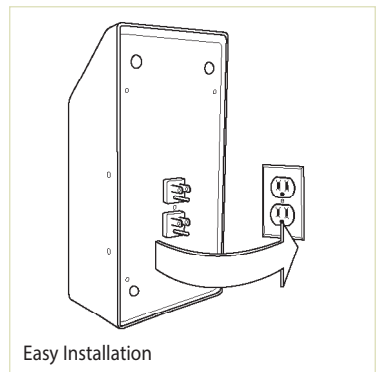
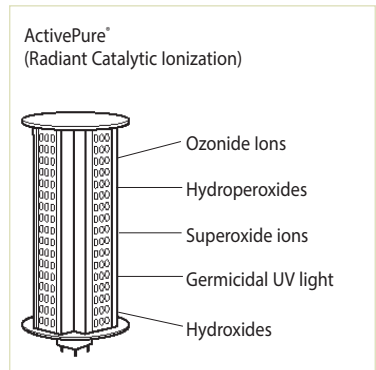
- Waiting rooms or small lobbies
- Hotel rooms
- Dorm rooms
- School classrooms
- Public restrooms
- Nursing home rooms
- Offices

installation details

- Plugs into any standard 120 volt, three prong outlet.
- Four mounting holes in chassis and two in the sides of the cover provide anti-theft installation.
- Not recommended for installation on external GFCI outlets (if required, a panel box type GFCI breaker must be used).



The plug on the back of the PHX can rotate 90° or 180° to fit your outlet.



Distributed By: