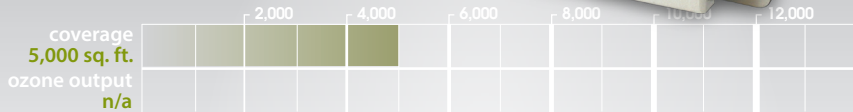




activTek INDUCT 5000



DUCT MOUNTED SYSTEM

description

- Duct or plenum installed natural air system
- Discreet or concealed installation
- 120/240 volt optional installation
- UV bulb monitoring indicator included
- Low maintenance – no cleaning required

applications

- Any building with challenging odor, visible smoke, or microbials on surfaces with existing ducts
- Restaurants
- Bars
- Businesses

the technology

The activTek INDUCT 5000 substantially reduces odors, visible smoke in the air, and microbial populations on **surfaces***, utilizing the patent pending ActivePure technology. ActivePure consists of a special UV light and photocatalyst

target, creating an Advanced Oxidation Process containing several friendly oxidizers.

*Published scientific studies conducted on behalf of activTek by Dr. James Marsden at Kansas State University demonstrated that activTek's ActivePure® technology substantially reduces microbial populations on surfaces. The study's results are being provided solely for informational purposes. The study's results have not been reviewed by the FDA, EPA or any other governmental agency. Our products are not medical devices and are not intended to diagnose, treat, or cure any disease. We make no claims and no claims should be inferred as to the efficacy of our products to sanitize, disinfect or kill germs or other antimicrobials.



specifications

INDUCT 5000	US40536	
electrical	120/240 VAC, 50/60 Hz	20 watts*
mechanical	UV bulb monitoring system installed	safety switch installed
dimensions	9" W x 9" H x 17" L	23cm W x 23cm H x 43.2cm L
weight	4 pounds	1.8 kilograms
coverage	up to 5,000 square feet	
max temp	200°F	

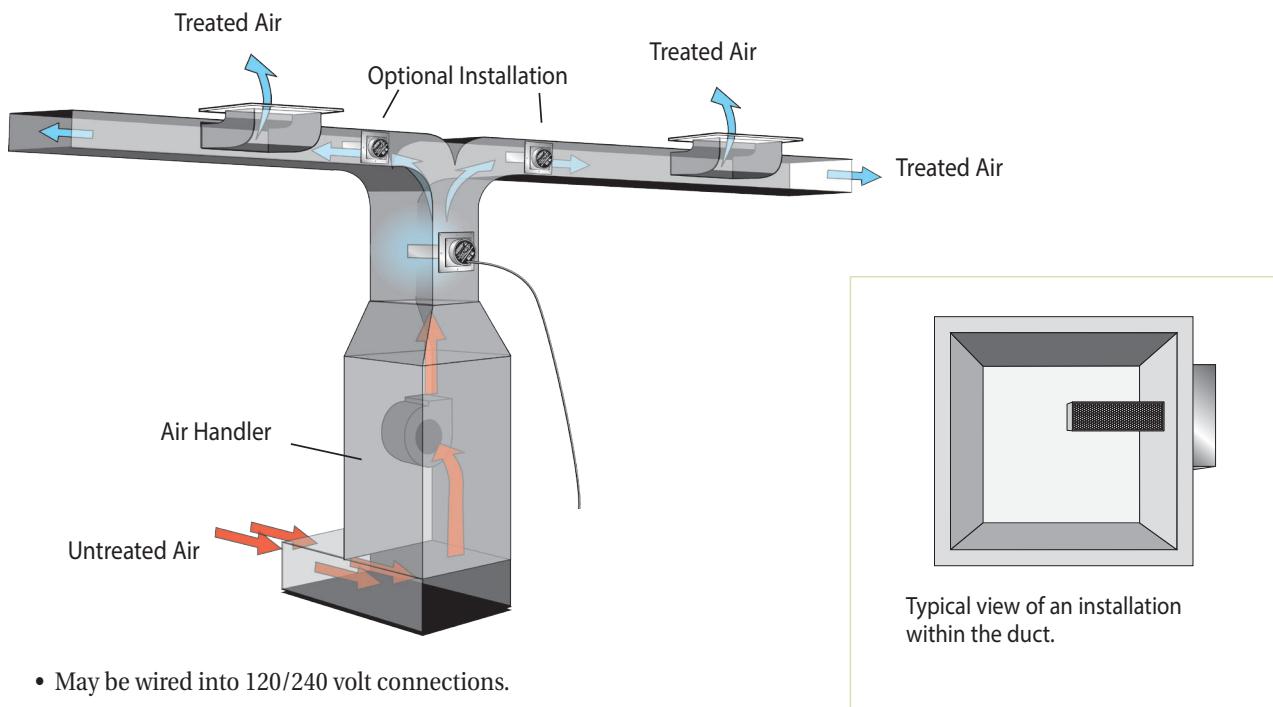
*Based on nominal line voltage

The activTek INDUCT 5000 is ideally applicable to situations in which accessible ducts already exist or will be installed and where low maintenance, no cleaning, or discreet installation might also be an advantage.

applications list

- Restaurants
- Hotels
- Schools
- Bars
- Nursing homes
- Dorm rooms
- Businesses
- Office buildings
- Hospitals
- Churches

installation details



- May be wired into 120/240 volt connections.
- Four mounting holes in chassis provide swift installation.

The activTeck INDUCT 5000 unit size is scaled to accommodate the various air flow rates of different HVAC systems. Determine the area you are intending to install activTek INDUCT 5000 into, then pick the model number that corresponds to that area.

Notes:

- Installation must be by a licensed HVAC professional.

Distributed By: