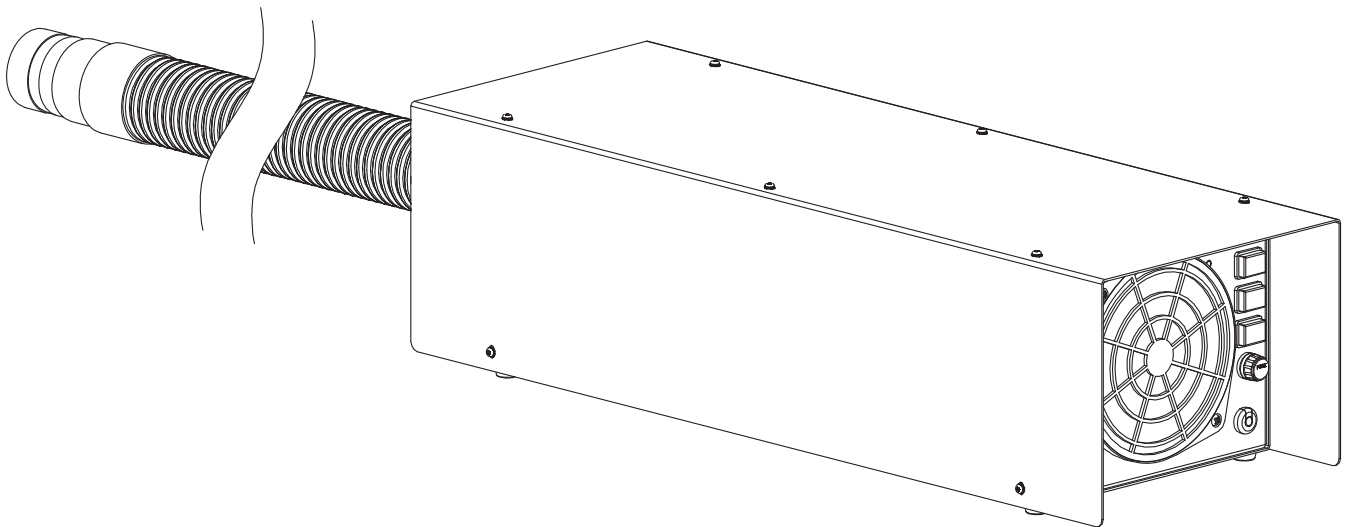
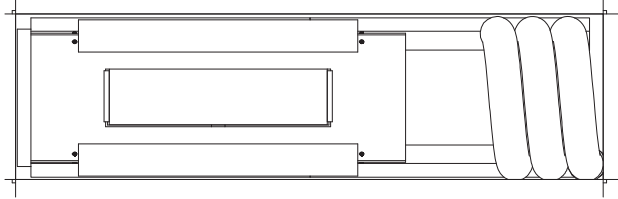


# HYDRA

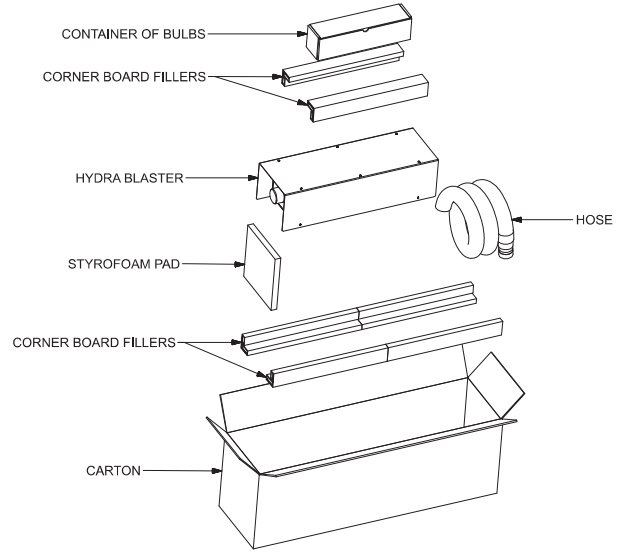


To operate your Hydra safely and efficiently, we ask that you please take time to read the attached operations manual prior to using the equipment. All instructions and precautions should be adhered to while operating this system.

# HYDRA



HYDRA PACKAGE  
OPEN BOX  
TOP VIEW



HYDRA PACKAGE  
OPEN BOX  
EXPLODED VIEW

## INTRODUCTION:

Thank you and congratulations on your purchase of the Hydra. We are confident this system will provide you with years of superior odor reduction performance.

## BOX CONTAINS THE FOLLOWING:

- Hydra unit
- Ozone output hose with cuff
- Box of 6 UV bulbs

Please be sure to inspect the equipment upon receipt for any possible shipping damage. If equipment is found to be damaged, call activTek Commercial Support at 866-736-0503.

## TREATMENT PHILOSOPHY:

These units are intended to be used to treat unoccupied areas only with high doses of ozone for sufficient sterilization and odor removal.

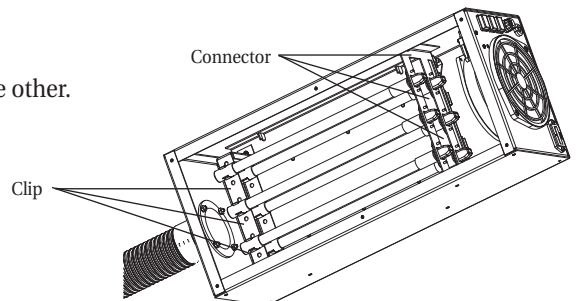
## SYSTEM OUTPUT:

1,540 mg/hr Max

SPECIFICATIONS		
HYDRA	120 Volt Model	240 Volt Model
Electrical	120 VAC, 1.86 amps 60HZ	240 VAC, 0.75 amps 50/60 Hz
Mechanical	58.5 CFM fan	58.5 CFM fan
Dimensions	27.5" X 7.25" X 9.38" / 69.8cm x 18.4cm x 23.8cm	27.5" X 7.25" X 9.38" / 69.8cm x 18.4cm x 23.8cm
Weight	17 pounds / 7.7kg	17 pounds / 7.7kg

## INSTALLATION INSTRUCTIONS:

1. Remove cover (10 screws) to install UV bulbs
2. Install the 6 UV bulbs which are packaged separately.  
Plug bulb into connector on one end and secure bulb into retaining clip on the other.
3. Connect power plug to each bulb
4. Reattach cover.
5. Connect to the appropriate voltage for your model.
6. Test for UV bulb operation



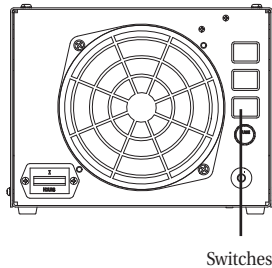
## OPERATING PROCEDURES:

- Always wear appropriate safety equipment when using this product
- Determine a suitable, dry location to place the unit.
- If connected to an air handling system, exhaust vent, etc., where the ozone will be vented outside be sure to clean or vacuum the air intake before using the Hydra and the system does not leak ozone back inside
- If using the Hydra where the ozone is not vented outside, Turn on the ventilation system fan for continuous air flow throughout the building or area being treated.
- Vacate the treated area of all persons, animal, rubber type products and plants which may be harmed by exposure to ozone.



**CAUTION!** - Prior to operating this unit, consult the warnings listed in the manual.

- Make sure treated area is sealed to prevent ozone from escaping and entering areas not prepared for treatment.
- Unless ozone is vented to the outside, Place "DO NOT ENTER" caution signs on all entrances and exits to the treated area.
- Select 1,2 or 3 switches. Each switch controls 2 UV bulbs.
- Upon turning on the Hydra, exit the area immediately.
- If entry into area being treated is necessary, be sure to use/wear the appropriate safety equipment.



## POST TREATMENT PROCEDURES:

- In areas where ozone is not vented outside, you should only re-enter after a sufficient period of time has passed for any remaining ozone to have dissipated.
- Time required to re-enter the treated area depends on how long the treatment ran, the amount of ozone used, temperature and humidity in the treatment area.
- To speed ozone dissipation, use an exhaust fan to pull the ozone out side.

## ELECTRICAL CONSIDERATIONS:

The Hydra comes in two models, 120 volt and 240 volt. Be sure to connect to the correct line voltage in accordance with this manual and all international, national, state and local electrical codes.

REPLACEMENT BULB	
PART #	ITEM
9950190	Replacement UV HO Bulb

Manufacturer shall not be held liable for consequences of any actions by the purchaser and/or applicator while using or applying Hydra.

Due to the variety of operational conditions and applications for these systems, the user through his/her own analysis and testing is solely responsible for making the final selection of the type of system and assuming that all performance, safety, and precaution requirements of the applications are met.

## WARNINGS:

OZONE IS CONSIDERED A TOXIC AND HAZARDOUS SUBSTANCE BY THE FEDERAL GOVERNMENT, SPECIFICALLY OSHA (OCCUPATIONAL SAFETY AND HEALTH ACT) (29 USC 655, 657). IT IS A POWERFUL OXIDIZER WHICH DESTROYS ORGANIC SUBSTANCES. ALL SAFETY PRECAUTIONS HEREIN MUST BE ADHERED TO AND COMMON SENSE MUST BE USED. DO NOT ATTEMPT TO OPERATE THE HYDRA WITHOUT FIRST READING AND UNDERSTANDING ALL INFORMATION AS PROVIDED BY THE MANUFACTURER HEREIN.

- Do not under any circumstance cut, remove, or replace the third prong from the electrical cord. If in the event a three-prong receptacle cannot be located in the area to be treated, a temporary connection may be made (where local codes permit) utilizing P&S #1919 Adapter or equivalent. The adapter provides a means for plugging in the three-prong cord into a two-prong receptacle. When used around dampness or water, use a GFI outlet.
- Vacate the area of persons, animals, and rubber plants before starting the system. The amount of ozone that is produced by Hydra is much higher than the maximum permissible OSHA standard for ozone concentration in an inhabited, enclosed area (.1 ppm). Therefore, no person or animal should remain in or enter the treated area until the area is vented properly for the recommended time period, and the level of ozone has depleted down to the acceptable level (.1 ppm). \*Do not breathe or inhale the ozone gas.
- A "Caution Do Not Enter" sign should be placed on all entrances/exits to the treated area at all times during and after the treatment until such time as the ozone level is .1 ppm, safe for re-entry.
- Do not breathe the ozone. The applicator should wear appropriate respiratory (breathing) mask when entering a treated area afterwards. If it is absolutely necessary to re-enter the treated area, you should wear a respiratory breathing mask and turn off the system.
- Vent area before re-entering. The area may smell of ozone when you re-enter (ozone smells like air immediately after a thunderstorm). If the ozone level measures more than the 0.1 ppm concentration, the area should be vented longer until the level is reduced.
- **Do not operate with cover removed or look directly inside at the UV lamps while in operation.**
- Do not use in an overheated (over 120° F) or explosive atmosphere.

Some physical symptoms of prolonged or excessive ozone exposure may result in: burning, watery, or irritated eyes, nose, and throat; nausea; headache; difficulty breathing; dry cough; irritation to nasal passages, throat, bronchial, and pulmonary membranes. Should this occur, see a physician immediately. Persons suffering from chronic breathing problems are known to be sensitive to ozone.

## WARRANTY INFORMATION

---

### LIMITED 2 YEAR WARRANTY

Customer should not repackage and ship the HYDRA unit due to possibility of irreparable damage. For warranty service, please contact your activTek Distributor for the address of the nearest service center or call Customer Service at 866.736.0503.

### WHAT IS COVERED BY THIS WARRANTY

We warrant the HYDRA (excluding filters) to the original customer, subject to the conditions below, against defects in workmanship or material, provided that the products are returned to a service location:

- within two (2) years of date of purchase.

### INSTALLATION AND MAINTENANCE REQUIREMENTS

This warranty is expressly conditioned upon proper installation, operation, cleaning and maintenance, all in accordance with the Owner's Manual. Failure to meet any of these requirements will void this warranty. Servicing of your HYDRA by parties other than our authorized representatives and/or using parts other than genuine parts will also void this warranty.

### HOW TO OBTAIN WARRANTY SERVICE

Customer must contact their activTek Distributor or Customer Service and provide proof of purchase within the above time period. We will repair the product, without charge and within a reasonable period of time, subject to the conditions herein, if our examination shall disclose any part to be defective in workmanship or material. If we, in our discretion, are unable to repair the product after a reasonable number of attempts, we will provide either a refund of the purchase price or a replacement unit, at our option.

### WHAT IS NOT COVERED BY THIS WARRANTY

Ordinary wear and tear shall not be considered a defect in workmanship or material. These warranties do not apply to filters nor for loss or damage caused by accident, fire, abuse, misuse, improper installation, leaking, modification, misapplication, or by any repairs other than those provided by our authorized Service Center. This warranty is non-transferable.

### MISSING SERIAL NUMBERS AND UNAUTHORIZED CHANNELS

If a valid serial number is missing from the product, the warranty will be voided. activTek Environmental products are authorized for sale through activTek Distributors only. Warranties are voided if a product is purchased through unauthorized channels; this includes websites that are not authorized to use activTek's trademarked names, images and logos as well as Internet auction sites (e.g. eBay and craigslist). The only approved Internet presence for activTek products is [www.activTek.net](http://www.activTek.net). To confirm warranty coverage prior to purchasing a product, contact activTek at 866-736-0503 with the serial number located on the back of the unit.

### EXCLUSION OF OTHER WARRANTIES AND CONDITIONS

EXCEPT AS PROVIDED HEREIN, WE MAKE NO REPRESENTATION OR WARRANTY OF ANY KIND. ALL OTHER WARRANTIES OF ANY KIND, EXPRESS OR IMPLIED, ARE HEREBY EXPRESSLY DISCLAIMED, INCLUDING ANY IMPLIED WARRANTY OF MERCHANTABILITY OR FITNESS FOR A PARTICULAR PURPOSE.

### LIMITATION OF LIABILITY FOR SPECIAL, INCIDENTAL, OR CONSEQUENTIAL DAMAGES

WE SHALL NOT IN ANY CASE BE LIABLE FOR SPECIAL, INCIDENTAL OR CONSEQUENTIAL DAMAGES ARISING FROM BREACH OF EXPRESSED OR IMPLIED WARRANTIES, CONDITIONS, GUARANTEES OR REPRESENTATIONS, BREACH OF CONTRACT, NEGLIGENCE OR ANY OTHER LEGAL THEORY. Such excluded damages include, but are not limited to, loss of profits or revenue, and loss of the use of the products, and any loss caused by leaks or other water damage.

### FOR U.S. APPLICATION ONLY

This warranty gives you specific legal rights, and you may also have other rights which vary from state to

state. Some states do not allow limitations on warranties, or on remedies for breach. In such states, the above limitations may not apply to you.

**FOR CANADIAN APPLICATION ONLY**

Exclusion of Subsequent Owners: Except as otherwise required by applicable legislation, this warranty is not transferable. This warranty gives you specific legal rights and you may also have other rights which vary from province to province. Some provinces and territories do not allow limitations on warranties, or on remedies for breach. In such provinces or territories, the above limitations may not apply to you.

If any provision of this warranty or part thereof is held by a court of competent jurisdiction to be invalid, illegal, or unenforceable, the validity, legality and enforceability of the remaining provisions or parts thereof will not in any way be affected or impaired within the jurisdiction of that court. This entire warranty shall continue to be valid, legal and enforceable in any jurisdiction where a similar determination has not been made.

This warranty is provided by  
DBG Group Investments, LLC  
300 East Valley Drive  
Bristol, VA 24201

**SERVICE**

Every effort is made to ensure customers receive an up-to-date instructions manual on the use of our products; however, from time to time, modifications to our products may without notice make the information contained herein subject to alteration. For the latest information, please visit our web site.

## TROUBLESHOOTING GUIDE

Symptom	Probable Cause	Solution
Machine Not Operating	"House" power fuse or circuit breaker tripped	Replace "house" power fuse or reset "house" circuit breaker
	Blown fuse	Replace fuse. If new fuse fails, contact activTek Commercial Support
Low Or No Ozone Output	No air movement	Contact activTek Commercial Support
	Air blowing but no ozone	Contact activTek Commercial Support
	Broken UV bulb	Contact activTek Commercial Support
	Blocked air passage	Remove any obstruction
	Broken On/Off switch	Contact activTek Commercial Support

## ALL ABOUT OZONE FREQUENTLY ASKED QUESTIONS WITH PRACTICAL ANSWERS

Question	Answer
Why does ozone eliminate odors?	The third oxygen atom is loosely attached and easily separates from the ozone molecule to combine with other substances, thereby oxidizing the odor causing substances.
Just what do you mean by oxidation? Give an example.	Inside the body, food molecules combine with O <sup>2</sup> to form CO <sup>2</sup> , and H <sup>2</sup> O and energy or heat. Oxidation means a substance undergoes a chemical change resulting in a different substance. Rust and fire are examples of oxidation.
Is ozone like radiation?	No, ozone emits no penetrating rays.
What happens to ozone after it serves its purpose?	Ozone's additional oxygen atom, when combined with other substances, undergoes a chemical change and reverts back to ordinary oxygen.
How is ozone formed by nature?	Trees emit hydrocarbons, which are byproducts of photosynthesis. Together with sunlight they produce ozone. Also, the electric discharge of lightning will produce ozone. This is why the air always smells so fresh after a thunderstorm.
What is the optimum operating temperature for an area to be treated?	70° F/21°C to 80° F/26.6°C.
Should I leave on a fan or air conditioning?	Yes. Utilizing the air conditioner, ceiling fans, floor fans, blowers, etc., to ensure that the ozone is dispersed throughout the room, greatly improves the Hydra's effectiveness. This air movement helps to ensure the ozone will come into contact with the odor. This same additional air movement in the room after the Hydra turns off will help the ozone to decompose more rapidly making the room occupiable sooner. In many cases, ventilating a room is not an option.

## FCC STATEMENT AND USER INFORMATION

This equipment has been tested and found to comply with the limits for Industrial, Scientific and Medical Equipment (ISM), pursuant to Part 18 of the FCC Rules. These limits are designed to provide reasonable protection against harmful interference when the equipment is operated in a commercial environment. This equipment generates, uses and can radiate radio frequency energy and, if not installed and used in accordance with the instructions, may cause harmful interference to radio communications. Operation of this equipment in a residential area is likely to cause harmful interference in which case the user will be required to correct the interference at his own expense.



# HYDRA

300 East Valley Drive • Bristol, VA 24201

866-736-0503 • [www.activTek.net](http://www.activTek.net)